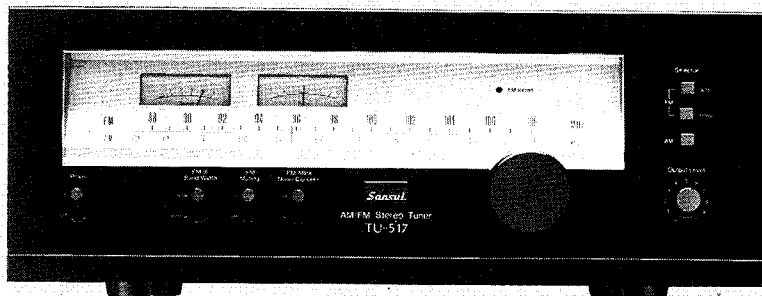


SERVICE MANUAL

AM/FM STEREO TUNER SANSUI TU-517



SPECIFICATIONS

FM Section

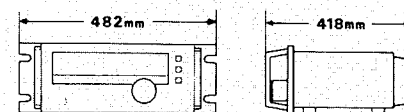
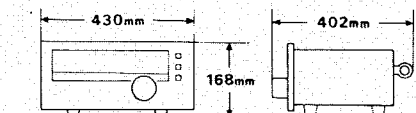
Tuning range	88 to 108 MHz
Usable sensitivity	
Mono IHF	9.8 dBf (1.7 μ V: T100)
DIN	1.0 μ V
Stereo IHF	19.0 dBf (4.9 μ V)
50 dB Quieting sensitivity	
Mono	12.5 dBf (2.24 μ V)
Stereo	34 dBf (27.5 μ V)
Signal to noise ratio at 65 dBf	
Mono	82 dB
Stereo	78 dB
Distortion (at 65 dBf)	
Mono: Wide	less than 0.06 % at 100 Hz less than 0.06 % at 1,000 Hz less than 0.08 % at 6,000 Hz
Narrow	less than 0.15 % at 100 Hz less than 0.12 % at 1,000 Hz less than 0.18 % at 6,000 Hz
Stereo: Wide	less than 0.1 % at 100 Hz less than 0.07 % at 1,000 Hz less than 0.1 % at 6,000 Hz
Narrow	less than 0.21 % at 100 Hz less than 0.15 % at 1,000 Hz less than 0.2 % at 6,000 Hz
Adjacent channel selectivity (at 200 kHz)	
Wide	3.5 dB
Narrow	8.0 dB
Alternate channel selectivity (at 400 kHz)	
Wide	50 dB
Narrow	80 dB
Capture ratio	
Wide	1.0 dB
Narrow	1.5 dB
Image response ratio	85 dB (at 98 MHz)
Spurious response ratio	90 dB (at 98 MHz)
Stereo separation	
Wide	45 dB at 100 Hz 48 dB at 1,000 Hz 38 dB at 10,000 Hz 36 dB at 30 ~ 15,000 Hz
Frequency response	30 to 15,000 Hz +0.2 dB -1.0 dB
Antenna input impedance	
	300 ohms balanced 75 ohms unbalanced

AM Section

Tuning range	530 to 1,600 kHz
Usable sensitivity (Bar antenna)	
	47 dB/m (220 μ V/m)
Selectivity (± 10 kHz)	35 dB
Signal to noise ratio	52 dB
Distortion at 80 dB/m	0.35 %

Others

Output level	
Output	0 to 1 V
Power requirements	100, 120, 220, 240 V 50/60 Hz 120 V 60 Hz (For U.S.A. & Canada only)
Power consumption	20 W
Weight	9.2 kg (20.3 lbs) net 11.0 kg (24.3 lbs) packed

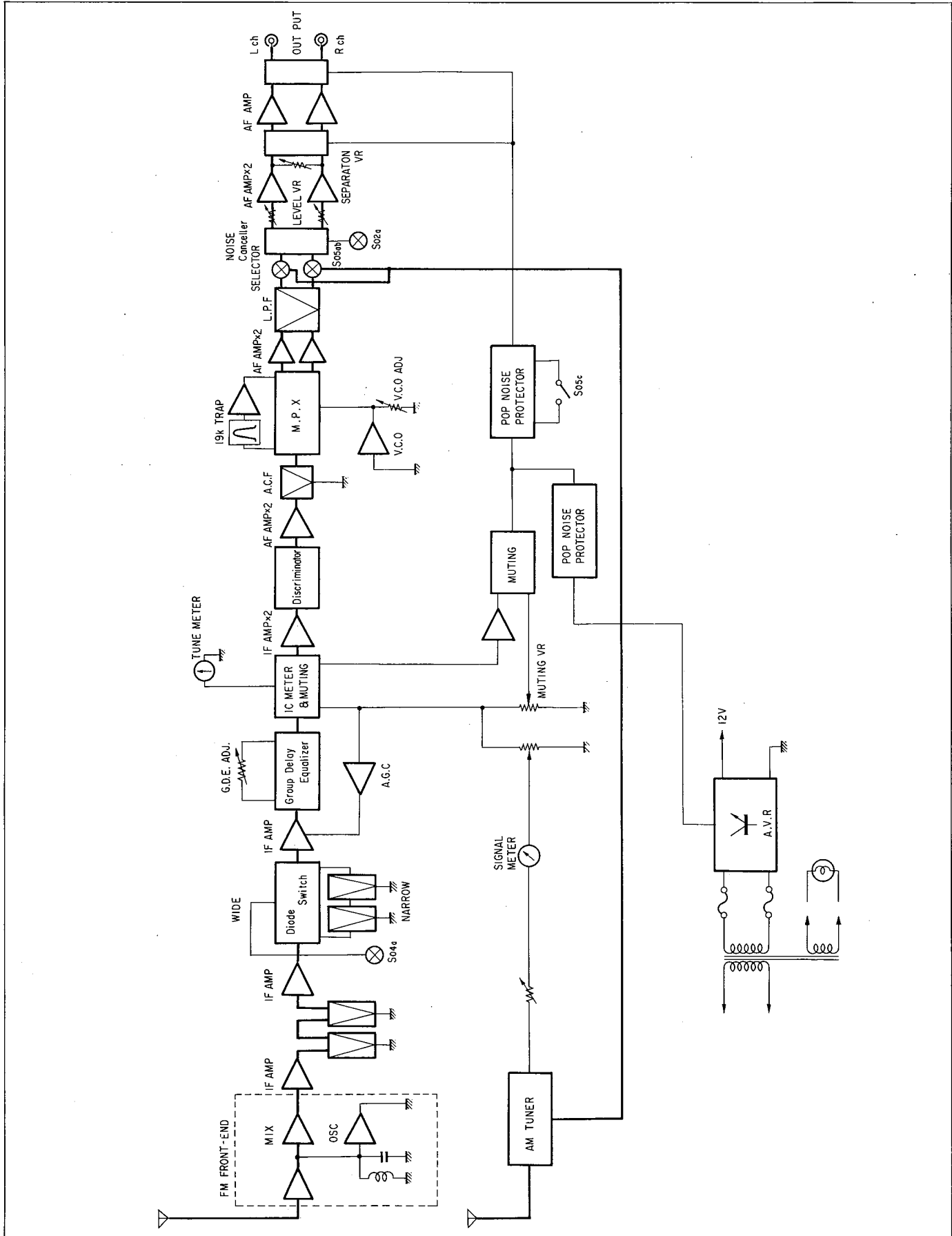


* Design and specifications subject to change without notice for improvements.

Sansui

SANSUI ELECTRIC CO., LTD.

1. BLOCK DIAGRAM



2. ADVANTAGES

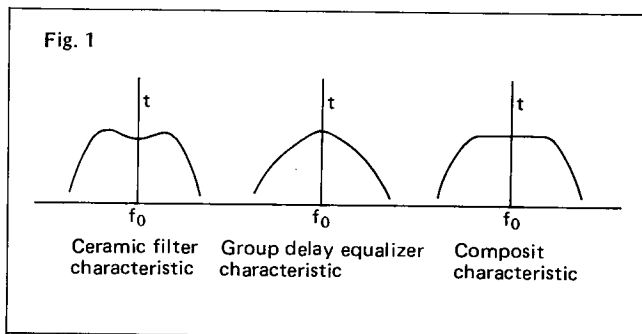
1. Group Delay Equalizer (FM. IF Section)

In the IF amplification stage of model TU-517 group delay equalizer and ceramic filter of distinguished characteristics are employed for the purpose of obtaining excellent-group delay characteristic.

Generally, characteristics of both selectivity and group delay are inversely related and hard to be compatible.

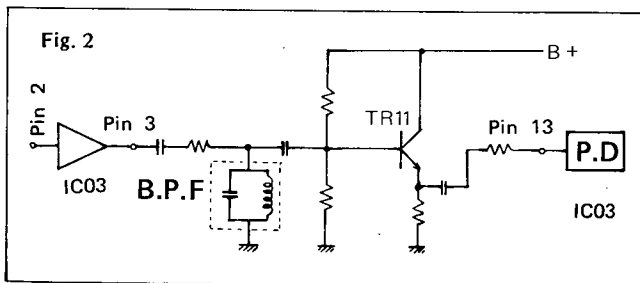
The group delay equalizer (Sansui patent) used in TU-517 is provided to improve the group delay characteristic without sacrificing the selectivity in spite of its characteristic being inversely related to group delay characteristic of ceramic filter as shown in Fig. 1.

Consequently, group delay characteristic is improved without changing selectivity characteristic after compounded both characteristics.



2. 19 kHz Trap (FM. MPX Section)

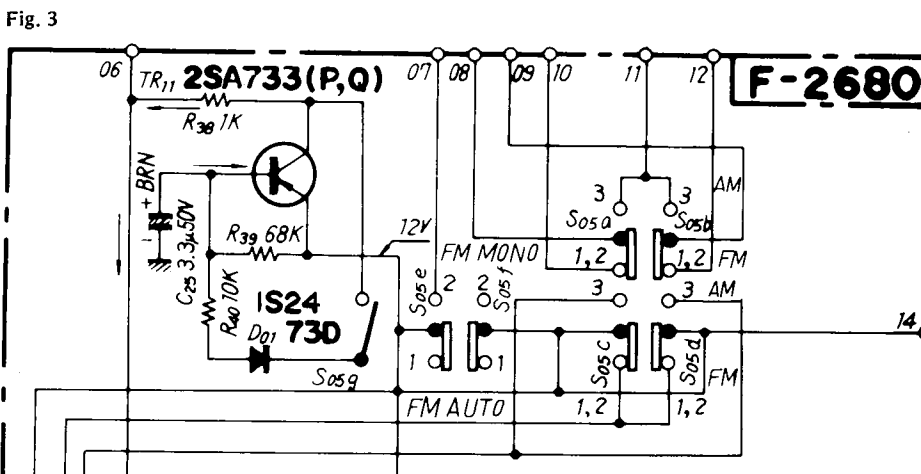
This circuit is furnished to prevent phase jitter of pilot signal which is ocured by main signal. As shown in Fig. 2, the B.P.F(Band-pass filter). is inserted between composit output and phase detector, which allows to pass the 19 kHz pilot signal. This procedure makes possible to eliminate beat noise of high frequency modulation signal (main signal of 6~12 kHz) and to improve distortion remarkably.



•Operation of pop noise protection circuit (When occuring to switch the FM-AM selector)

- When switching the FM AM push-selector ON or OFF, the sub-switch S05g, turns "ON" for a moment.
- TR₁₁ turns "ON" to be added a bias to its base.

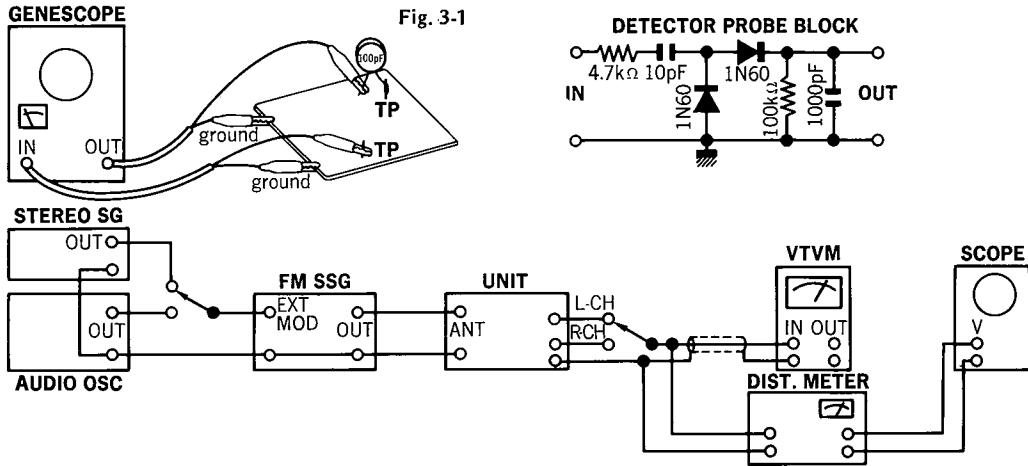
- While the bias voltage is added to TR₁₁, the muting circuit functions.
- Resultly, the output voltage of this unit is 0V at the moment the selector being switched.



3. ADJUSTMENTS (See the Top View on Page 8)

1. FM Adjustment

- Note: 1. Selector FM MONO
 2. FM Muting Switch OFF
 3. Connection Connect the output of genescopes to TP through 100 pF ceramic capacitor.
 4. Bandwidth Wide
 5. Confirm the voltage, DC 11.5 ~ 12.5 V at tap of 08 on F-2681. If not, set VR01 on F-2681 to DC 12 V.



(1) FM IF, RF Adjustment and Dial Calibration

STEP	SUBJECT	FEED SIGNAL		MEASURE OUTPUT	ADJUST	ADJUST FOR	CONDITION
		FROM	TO				
1.	IF Coil	Output 60 dB Genescopes	TP01 F-2678	TP04 F-2678 Use Detector Probe	T01, T02 F-2678	Max. IF waveform	
2.	Discriminator Coil In case of using Genescopes	Same as above	Same as above	TP01 F-2730	T01 F-2730	Steep linearity of S curve	
	Discriminator Coil In case of using Dist meter	98 MHz ANT Input 65 dBf (59.8 dB) 1000 Hz (100% MOD) FM SSG	ANT terminal 300Ω	OUT L or R-CH Dist Meter	T02 F-2730	Make symmetrical S curve	
3.	90 MHz Dial Calibration	90 MHz ANT Input 65 dBf (59.8 dB) 1000 Hz (100% MOD) FM SSG	ANT terminal 300Ω	OUT L or R-CH VTVM & Scope	L04 F-2678	Max. Output	
	106 MHz Dial Calibration	106 MHz ANT Input 65 dBf (59.8 dB) 1000 Hz (100% MOD) FM SSG	Same as above	Same as above	TC04 F-2678	Same as above	
4.	90 MHz RF Adj	90 MHz ANT Input Minimum valve with sine wave 1000 Hz (100% MOD) FM SSG	Same as above	Same as above	L01, L02, L03 F-2678	Same as above	
	106 MHz RF Adj.	106 MHz ANT Input Minimum valve with sine wave 1000 Hz (100% MOD) FM SSG	Same as above	Same as above	TC01, TC02, TC03 F-2678	Same as above	
5.	Signal Meter Volume	98 MHz ANT Input 65 dBf (59.8 dB) 1000 Hz (100% MOD) FM SSG	Same as above	Signal Meter	VR02 F-2678	4.3 on Meter	
6.	Tune Meter	Same as above	Same as above	Tune Meter	T03 F-2678	Center on Meter	

(2) FM STEREO Adjustment

Note: Selector FM AUTO

STEP	SUBJECT	FEED SIGNAL		MEASURE OUTPUT	ADJUST	ADJUST FOR	REMARKS
		FROM	TO				
1.	PLL VCO Adj.	98 MHz ANT Input 65 dBf (59.8 dB) FM SSG Pilot 19 kHz (9% MOD) R (or L) Mode 1 kHz + Pilot (100% MOD) STEREO SG	ANT terminal 300Ω	Stereo indicator	VR04 F-2678	Light indicator	Adjust the VR within center of lighting level.
	PLL VCO Adj. In case of using Freq.	98 MHz ANT Input 65 dBf (59.8 dB) FM SSG (No MOD)	Same as above	TP06 F-2678 Use Freq. counter	VR04 F-2678	76 kHz ±150 Hz	
2.	Separation	98 MHz ANT Input 65 dBf (59.8 dB) FM SSG Pilot 19 kHz (9% MOD) R Mode 1 kHz + Pilot (100% MOD) STEREO SG	Same as above	OUT L-CH VTVM & Scope	VR02 F-2680	OUT -45 dB	Confirm separation L-CH → R-CH (-45 dB)
3.	Muting level	98 MHz ANT Input 20 dBf (14.8 dB) FM SSG Pilot 19 kHz (9% MOD) SUB 1 kHz + Pilot (100% MOD) STEREO SG	Same as above	Stereo indicator	VR03 F-2678	Muting level 20 dBf (14.8 dB) indicator turns ON.	FM MUTING Switch ON

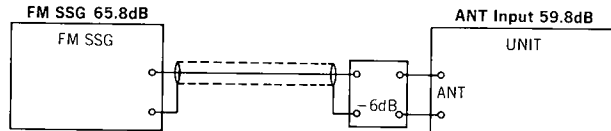
●NEW MEASUREMENT FOR FM.

Input signal level under the provision of IHFM-T-200, a new measurement method is indicated by available power ratio "dBf". To obtain approximate available power ratio "dBf", abstract 0.8 from attenuater indication of general FMSG (open load indication type); however, the former measurement, IHFM-T-100 is designated together too.

The way of modulation on IHFM-T-200 is shown below.

	modulation frequency	modulation mode	modulation factor
FM MONO	1000 Hz		100%
FM STEREO	1000 Hz	SUB	Pilot 9% Pilot + SUB 100%

- The relation between the standard input 65 dBf of IHFM-T-200 and the former indication "dB" is shown below.

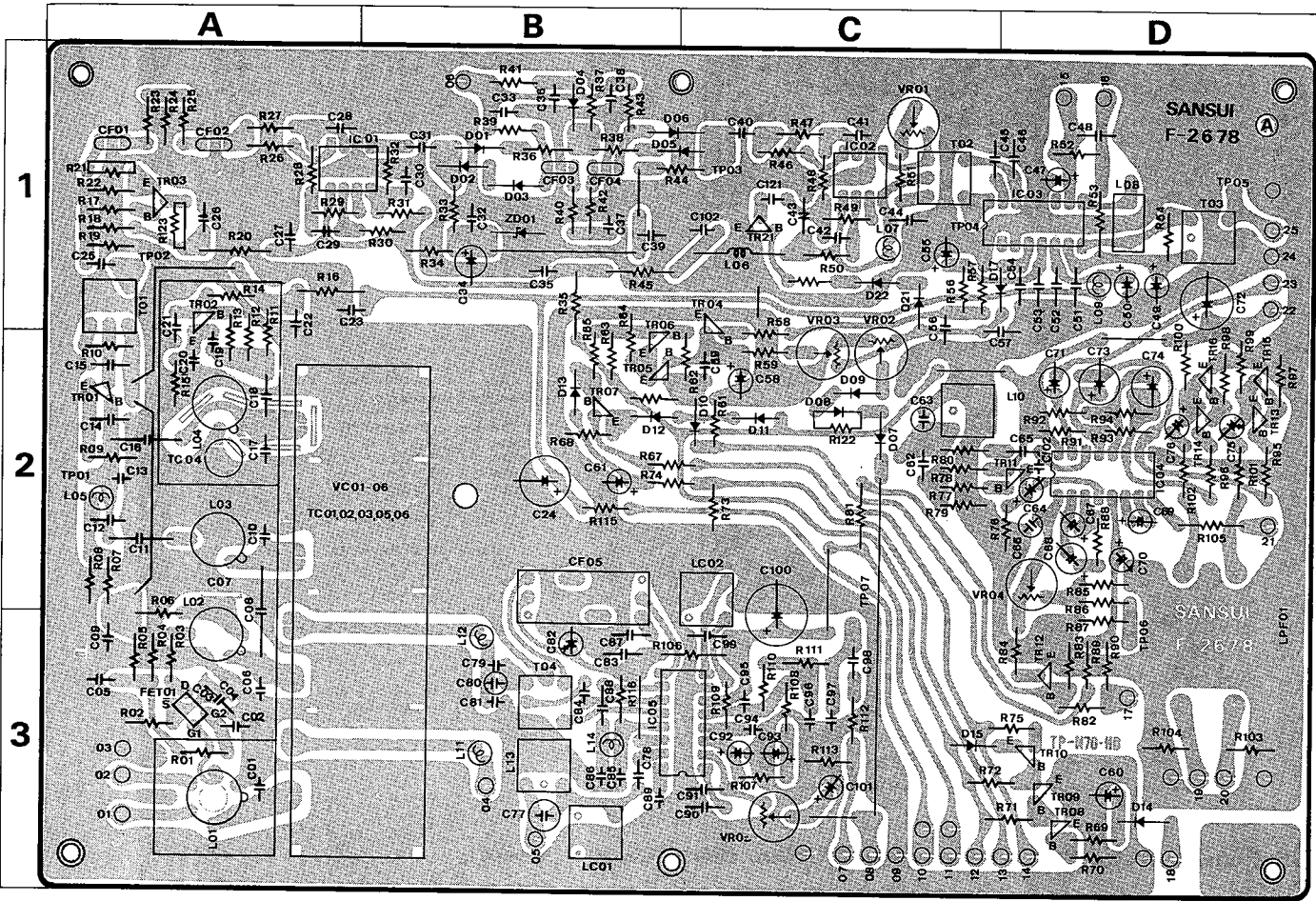


4. PARTS LOCATION & PARTS LIST

Since some of capacitors and resistors are omitted from parts lists in this Service Manual, refer to the Common Parts List for capacitors & resistors which was appended previously to each Sansui Manual.

1. F-2678 Tuner Circuit Board (Stock No. 7521771)

Conductor Side

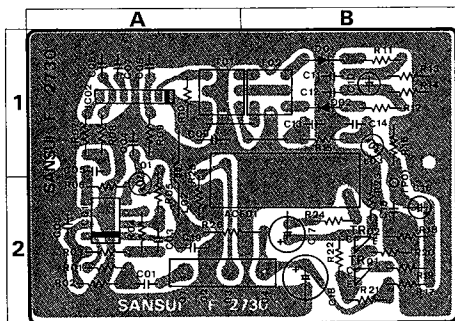


Parts List

Parts No.	Stock No.	Description	Position	Parts No.	Stock No.	Description	Position	Parts No.	Stock No.	Description	Position
TR01, 02	0305801, 2	2SC1047 B, C	2A	D 17	0340120	VD1212 Varistor	1D	L 06	4290011	Peaking Coil	1C
TR03	0300282, 3	2SA628 E, F	1A	D 21	0311160	1S2473D Diode	1C	L 07	4900100	3.3 μH	1C
	0306340, 1	2SC1674 M, L		D 22, 23	0340120	VD1212 Varistor	1C	L 08	4290300	18 μH	1D
TR04, 05, 06	0305731	2SC711 E, F	2, CB	ZD01	0315660	RD-6A N	1B	L 09	4900100	3.3 μH	1D
TR07	0300510, 1	2SA733 P, Q	2B		0315770	EQA01-06S		L 10	4240720, 1	MPX Coil	3B
TR08, 09	0305731, 2	2SC711 E, F	3D	C 01	0669350	15 PF 50V	3A	L 11, 12	4900140	1 μH	3B
TR10	0300510, 1	2SA733 P, Q	3D	C 04	0659015	2200 PF 50V	3A	L 14	4900110	100 μH	3B
TR11	0305951, 2	2SC945 P, Q	3D	C 06	0669350	15 PF 50V	C.C.	T 01, 02	4235930	IF Coil	2A, C
TR12	0305731, 2	2SC711 E, F	3D	C 07	0659015	2200 PF 50V	2A	T 03	4235860	FM IF Coil	1D
TR13, 14	0300510, 1	2SA733 P, Q	2D	C 08	0679024	0.33 PF 500V	Gimmick C	T 04	4220650	O.S.C. Coil	3B
TR15, 16	0306010, 1	2SC1222 (2) U, E	2D	C 10	0669350	15 PF 50V	2A				
TR21	0306342	2SC1674 K	2D	C 11	0669507	7 PF 50V	2A				
				C 16	0679006	0.82 PF 500V	Gimmick C				
IC 01, 02	0360510	LA-1222		C 17	0669355	20 PF 50V	2A	CF 01 ~ 04	0910380	Ceramic Filter	1A, B
IC 03	0360350	HA1137W		C 18, 19, 20	0669210	10 PF 50V	C.C.	LC 05	0910370	Ceramic Filter	2B
IC 04	0360730	HA1196	2D	C 37	0661150	15 PF 50V	1B	LC 01, 02	4230620	IF Coil	3B, C
IC 05	0360390	HA1197	3B, C	C 63	0629001	6800 PF 50V	P.C.	LF 01	0910210	Low Pass Filter	
FT01	0370131	3SK41 (1) L F.E.T.		C 66	0629005	380 PF 50V	2D				
				C 67	0573159	1.5 μF 35WV	E.C.	VR01	1035120	Volume 6.8K Ω B, Phase adj.	1C
D 01	0311160	1S2473D	1B	C 69	0573228	0.22 μF 35WV	2D	VR02	1035110	Volume 47 kΩ B, FM meter	2C
D 02, 03	0310330, 1	1N60	1B	C 79	0669415	15 PF 50V C.C.	3B	VR03	1035190	Volume 100 KΩ B, FM muting	2C
D 04, 05	0311160	1S2473D	1B, C	C 80	0620361	380 PF 50V P.C.	3B	VR04	1034250	Volume 4.7 KΩ B, V.C.O.	2D
D 06	0310330, 1	1N60	1B, C	C 81	0669415	15 PF 50V	3B	VR05	1035110	Volume 4.7 KΩ B, AM meter	3C
D 07, 09	0340120	VD1212 Varistor	2C	C 85, 86	0661150	15 PF 50V	C.C.				
D 10	0311160	1S2473D Diode	2C	L 01	4200720	Antenna Coil	3A	VC01	1220260	Variable Capacitor	
D 11	0340120	VD1212 Varistor	2C	L 02, 03	4210340	RF Coil	2, 3A	TC 04	1230090	Trimmer Capacitor	
D 12, 13	0311160	1S2473D Diode	2B	L 04	4220400	O.S.C. Coil	2A				
D 14	0310340	10D1 (1S2226)	3D	L 05	4900140	1 μH Inductor	2A				
D 15	0311160	1S2473D	3C								

2. F-2730 FM Discriminator Circuit Board (Stock No. 7521791)

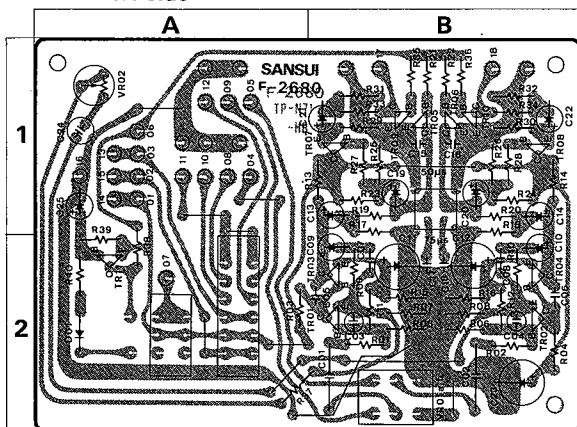
Conductor Side



Parts No.	Stock No.	Description	Position
TR01	0300510, 1	2SA733 P, Q	} Transistor 2B
TR02	0306010, 1	2SC1222 (2) U, E	
IC 01	0360510	LA-1222	} IC 2A
IC 02	0360540	μPC1163H	
D 01, 02	0311160	1S2473D Diode	1B
R 26	0191479	4.7 Ω ¼W F.R.	2A
L 01	4900100	3.3 μH Inductor	2A
L 02	4290011	Peaking Coil	1A
L 03	4900110	100 μH Inductor	1B
T 01	4236010	IF Coil	1A
T 02	4236020	IF Coil	1B
LC01	0910400	Adjunct Channel Filter	
	2410590	4P Pin Ass'y Type D	

3. F-2680 Selector SW & Muting Circuit Board (Stock No. 7596071)

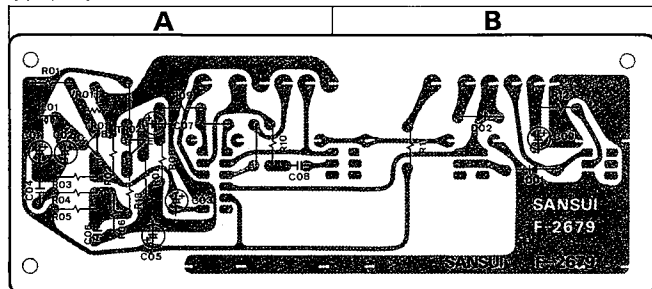
Conductor Side



Parts No.	Stock No.	Description	Position
TR01 ~04	0306010, 1	2SC1222 (2) U, E	} Transistor 2B
TR05, 06	0305952, 3	2SC945 P, K	
TR07, 08	0306010, 1	2SC1222 (2) U, E	
TR09, 10	0305952, 3	2SC945 P, K	
TR11	0300510, 1	2SA733 P, Q	
D 01	0311160	1S2473D Diode	2A
C 01, 02	0602109	1.0 μF 100WV M.C.	2B
C 03, 04	0620101	100 PF 50V P.C.	2B
C 05, 06	0661150	15 PF 50V	} C.C. 2B
C 07, 08	0661180	18 PF 50V	
VR01	1015250	2-ganged volume, 50 kΩ B output level	2B
VR02	1035350	Volume, 4.7 kΩ B separation	1A
S 05	1131440	Push Switch, selector	
S 06	1110270	Slide Switch, De-emphasis	

4. F-2679 Accessory SW & Calibration Circuit Board (Stock No. 7596061)

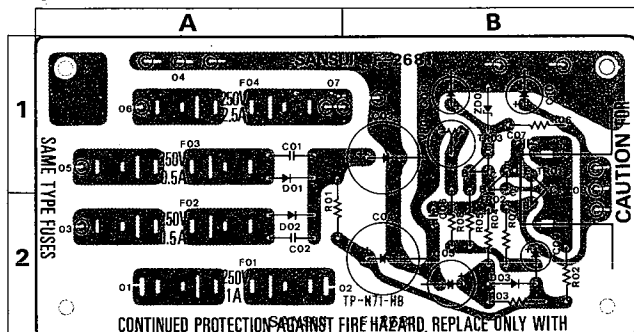
Conductor Side



Parts No.	Stock No.	Description	Position
D 01, 02	0311160	1S2473D Diode	B
R 12	0210680	68 Ω ¼W N.I.R.	B
S 02 ~04	1171130	Lever Switch, Noise Canceller	
	2410700	Muting Band Width 6 P Pin Ass'y Type F	

5. F-2681 Power Supply Circuit Board (Stock No. 7502751)

Conductor Side



Parts No.	Stock No.	Description	Position
TR01	0308391	~32SD313AL D, E, F	} Transistor 1, 2B
TR02, 03	0305731	~32SC711 E, F, G	
D 01 ~03	0310340	10D1 (1S2226) Diode	} 1, 2AB
ZD01	0315770	EQA01-06S Zener Diode	
C 01, 02	0655103	10,000 PF 500V C.C.	} 1, 2A
C 06	0620471	470 PF 50V P.C.	
R 01	0210100	10 Ω ¼W N.I.R.	1, 2A
R 02	0191479	4.7 Ω ¼W F.R.	2B
VR01	1035110	Volume, 4.7 kΩ B DC Adj.	1B
F 02, 03	0432210	0.5A 250V AC Fuse	} 1, 2A
F 04	0432250	2.5A 250V AC Fuse	

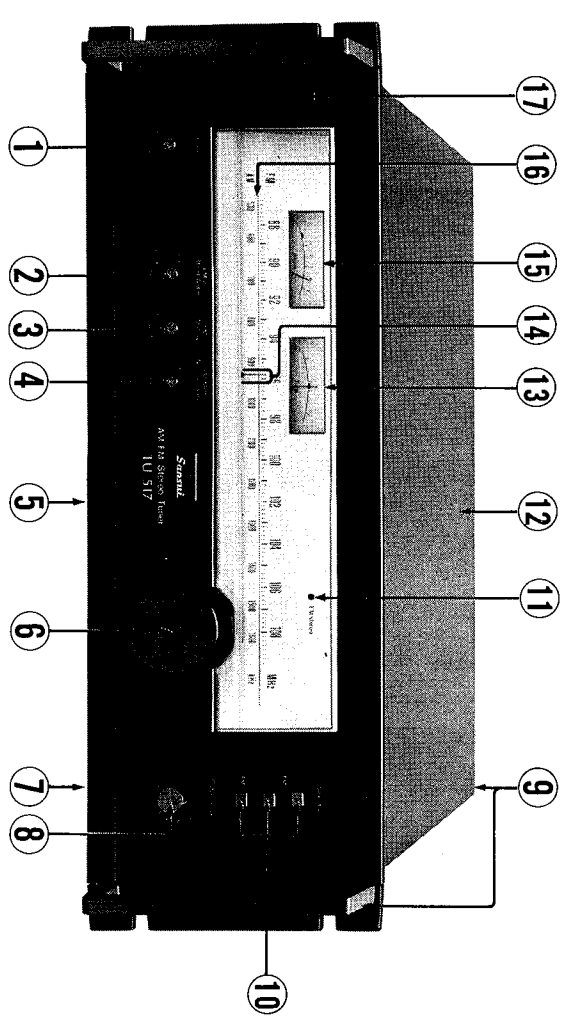
5. OTHER PARTS

1. Front View

Parts List

Parts No.	Stock No.	Description	Parts No.	Stock No.	Description	Parts No.	Stock No.	Description
1	S 701	1171630 { Lever Switch, power	8	5318850 { Knob, output level	13	4301140 { Tune Meter		
2	S 04	5326611 { Knob, lever switch	9	1015250 { 2-ganged Volume, 50 kΩ B, output level	14	5416461 { Dial Printer		
3	S 03	5326611 { Knob, lever switch	10	7286020 { Rack-mounting adaptor (set)	15	5517260 { Signal Meter		
4	S 02	5326611 { Knob, lever switch, muting	11	5385340 { Rack-mounting adaptor (each)	16	5405370 { Dial Scale		
5	S 02	5326611 { Knob, lever switch, noise canceler	12	5216100 { Rear stand (each)	17	7007860 { Front Panel Ass'y		
6	S 02	5326611 { Knob, lever switch	13	1131440 { Push Switch		5301530 { Front Panel		
7	S 02	5326611 { Knob, lever switch	14	5326620 { Spring, push switch		5301530 { Front knob		
			15	5900480 { LED, stereo indicator		8006480 { Spring, pedal knob		
			16	0319090 { LED, stereo indicator		8006480 { Spring, pedal knob		
			17	5109246 { Bonnet		5305271 { Window, dial scale		

<Front View>



- 1
- 2
- 3
- 4
- 5
- 6
- 7
- 8
- 9
- 10
- 11
- 12
- 13
- 14
- 15
- 16
- 17

- 1
- 2
- 3
- 4
- 5
- 6
- 7
- 8
- 9
- 10
- 11
- 12
- 13
- 14
- 15
- 16
- 17

- 1
- 2
- 3
- 4
- 5
- 6
- 7
- 8
- 9
- 10
- 11
- 12
- 13
- 14
- 15
- 16
- 17

- 1
- 2
- 3
- 4
- 5
- 6
- 7
- 8
- 9
- 10
- 11
- 12
- 13
- 14
- 15
- 16
- 17

- 1
- 2
- 3
- 4
- 5
- 6
- 7
- 8
- 9
- 10
- 11
- 12
- 13
- 14
- 15
- 16
- 17

- 1
- 2
- 3
- 4
- 5
- 6
- 7
- 8
- 9
- 10
- 11
- 12
- 13
- 14
- 15
- 16
- 17

- 1
- 2
- 3
- 4
- 5
- 6
- 7
- 8
- 9
- 10
- 11
- 12
- 13
- 14
- 15
- 16
- 17

- 1
- 2
- 3
- 4
- 5
- 6
- 7
- 8
- 9
- 10
- 11
- 12
- 13
- 14
- 15
- 16
- 17

- 1
- 2
- 3
- 4
- 5
- 6
- 7
- 8
- 9
- 10
- 11
- 12
- 13
- 14
- 15
- 16
- 17

- 1
- 2
- 3
- 4
- 5
- 6
- 7
- 8
- 9
- 10
- 11
- 12
- 13
- 14
- 15
- 16
- 17

- 1
- 2
- 3
- 4
- 5
- 6
- 7
- 8
- 9
- 10
- 11
- 12
- 13
- 14
- 15
- 16
- 17

- 1
- 2
- 3
- 4
- 5
- 6
- 7
- 8
- 9
- 10
- 11
- 12
- 13
- 14
- 15
- 16
- 17

- 1
- 2
- 3
- 4
- 5
- 6
- 7
- 8
- 9
- 10
- 11
- 12
- 13
- 14
- 15
- 16
- 17

- 1
- 2
- 3
- 4
- 5
- 6
- 7
- 8
- 9
- 10
- 11
- 12
- 13
- 14
- 15
- 16
- 17

- 1
- 2
- 3
- 4
- 5
- 6
- 7
- 8
- 9
- 10
- 11
- 12
- 13
- 14
- 15
- 16
- 17

- 1
- 2
- 3
- 4
- 5
- 6
- 7
- 8
- 9
- 10
- 11
- 12
- 13
- 14
- 15
- 16
- 17

- 1
- 2
- 3
- 4
- 5
- 6
- 7
- 8
- 9
- 10
- 11
- 12
- 13
- 14
- 15
- 16
- 17

- 1
- 2
- 3
- 4
- 5
- 6
- 7
- 8
- 9
- 10
- 11
- 12
- 13
- 14
- 15
- 16
- 17

- 1
- 2
- 3
- 4
- 5
- 6
- 7
- 8
- 9
- 10
- 11
- 12
- 13
- 14
- 15
- 16
- 17

- 1
- 2
- 3
- 4
- 5
- 6
- 7
- 8
- 9
- 10
- 11
- 12
- 13
- 14
- 15
- 16
- 17

- 1
- 2
- 3
- 4
- 5
- 6
- 7
- 8
- 9
- 10
- 11
- 12
- 13
- 14
- 15
- 16
- 17

- 1
- 2
- 3
- 4
- 5
- 6
- 7
- 8
- 9
- 10
- 11
- 12
- 13
- 14
- 15
- 16
- 17

- 1
- 2
- 3
- 4
- 5
- 6
- 7
- 8
- 9
- 10
- 11
- 12
- 13
- 14
- 15
- 16
- 17

- 1
- 2
- 3
- 4
- 5
- 6
- 7
- 8
- 9
- 10
- 11
- 12
- 13
- 14
- 15
- 16
- 17

- 1
- 2
- 3
- 4
- 5
- 6
- 7
- 8
- 9
- 10
- 11
- 12
- 13
- 14
- 15
- 16
- 17

- 1
- 2
- 3
- 4
- 5
- 6
- 7
- 8
- 9
- 10
- 11
- 12
- 13
- 14
- 15
- 16
- 17

- 1
- 2
- 3
- 4
- 5
- 6
- 7
- 8
- 9
- 10
- 11
- 12
- 13
- 14
- 15
- 16
- 17

- 1
- 2
- 3
- 4
- 5
- 6
- 7
- 8
- 9
- 10
- 11
- 12
- 13
- 14
- 15
- 16
- 17

- 1
- 2
- 3
- 4
- 5
- 6
- 7
- 8
- 9
- 10
- 11
- 12
- 13
- 14
- 15
- 16
- 17

- 1
- 2
- 3
- 4
- 5
- 6
- 7
- 8
- 9
- 10
- 11
- 12
- 13
- 14
- 15
- 16
- 17

- 1
- 2
- 3
- 4
- 5
- 6
- 7
- 8
- 9
- 10
- 11
- 12
- 13
- 14
- 15
- 16
- 17

- 1
- 2
- 3
- 4
- 5
- 6
- 7
- 8
- 9
- 10
- 11
- 12
- 13
- 14
- 15
- 16
- 17

- 1
- 2
- 3
- 4
- 5
- 6
- 7
- 8
- 9
- 10
- 11
- 12
- 13
- 14
- 15
- 16
- 17

- 1
- 2
- 3
- 4
- 5
- 6
- 7
- 8
- 9
- 10
- 11
- 12
- 13
- 14
- 15
- 16
- 17

- 1
- 2
- 3
- 4
- 5
- 6
- 7
- 8
- 9
- 10
- 11
- 12
- 13
- 14
- 15
- 16
- 17

- 1
- 2
- 3
- 4
- 5
- 6
- 7
- 8
- 9
- 10
- 11
- 12
- 13
- 14
- 15
- 16
- 17

- 1
- 2
- 3
- 4
- 5
- 6
- 7
- 8
- 9
- 10
- 11
- 12
- 13
- 14
- 15
- 16
- 17

- 1
- 2
- 3
- 4
- 5
- 6
- 7
- 8
- 9
- 10
- 11
- 12
- 13
- 14
- 15
- 16
- 17

- 1
- 2
- 3
- 4
- 5
- 6
- 7
- 8
- 9
- 10
- 11
- 12
- 13
- 14
- 15
- 16
- 17

- 1
- 2
- 3
- 4
- 5
- 6
- 7
- 8
- 9
- 10
- 11
- 12
- 13
- 14
- 15
- 16
- 17

- 1
- 2
- 3
- 4
- 5
- 6
- 7
- 8
- 9
- 10
- 11
- 12
- 13
- 14
- 15
- 16
- 17

- 1
- 2
- 3
- 4
- 5
- 6
- 7
- 8
- 9
- 10
- 11
- 12
- 13
- 14
- 15
- 16
- 17

- 1
- 2
- 3
- 4
- 5
- 6
- 7
- 8
- 9
- 10
- 11
- 12
- 13
- 14
- 15
- 16
- 17

- 1
- 2
- 3
- 4
- 5
- 6
- 7
- 8
- 9
- 10
- 11
- 12
- 13
- 14
- 15
- 16
- 17

- 1
- 2
- 3
- 4
- 5
- 6
- 7
- 8
- 9
- 10
- 11
- 12
- 13
- 14
- 15
- 16
- 17

- 1
- 2
- 3
- 4
- 5
- 6
- 7
- 8
- 9
- 10
- 11
- 12
- 13
- 14
- 15
- 16
- 17

- 1
- 2
- 3
- 4
- 5
- 6
- 7
- 8
- 9
- 10
- 11
- 12
- 13
- 14
- 15
- 16
- 17

- 1
- 2
- 3
- 4
- 5
- 6
- 7
- 8
- 9
- 10
- 11
- 12
- 13
- 14
- 15
- 16
- 17

- 1
- 2
- 3
- 4
- 5
- 6
- 7
- 8
- 9
- 10
- 11
- 12
- 13
- 14
- 15
- 16
- 17

- 1
- 2
- 3
- 4
- 5
- 6
- 7
- 8
- 9
- 10
- 11
- 12
- 13
- 14
- 15
- 16
- 17

- 1
- 2
- 3
- 4
- 5
- 6
- 7
- 8
- 9
- 10
- 11
- 12
- 13
- 14
- 15
- 16
- 17

- 1
- 2
- 3
- 4
- 5
- 6
- 7
- 8
- 9
- 10
- 11
- 12
- 13
- 14
- 15
- 16
- 17

- 1
- 2
- 3
- 4
- 5
- 6
- 7
- 8
- 9
- 10
- 11
- 12
- 13
- 14
- 15
- 16
- 17

- 1
- 2
- 3
- 4
- 5
- 6
- 7
- 8
- 9
- 10
- 11
- 12
- 13
- 14
- 15
- 16
- 17

- 1
- 2
- 3
- 4
- 5
- 6
- 7
- 8
- 9
- 10
- 11
- 12
- 13
- 14
- 15
- 16
- 17

- 1
- 2
- 3
- 4
- 5
- 6
- 7
- 8
- 9
- 10
- 11
- 12
- 13
- 14
- 15
- 16
- 17

- 1
- 2
- 3
- 4
- 5
- 6
- 7
- 8
- 9
- 10
- 11
- 12
- 13
- 14
- 15
- 16
- 17

- 1
- 2
- 3
- 4
- 5
- 6
- 7
- 8
- 9
- 10
- 11
- 12
- 13
- 14
- 15
- 16
- 17

- 1
- 2
- 3
- 4
- 5
- 6
- 7
- 8
- 9
- 10
- 11
- 12
- 13
- 14
- 15
- 16
- 17

- 1
- 2
- 3
- 4
- 5
- 6
- 7
- 8
- 9
- 10
- 11
- 12
- 13
- 14
- 15
- 16
- 17

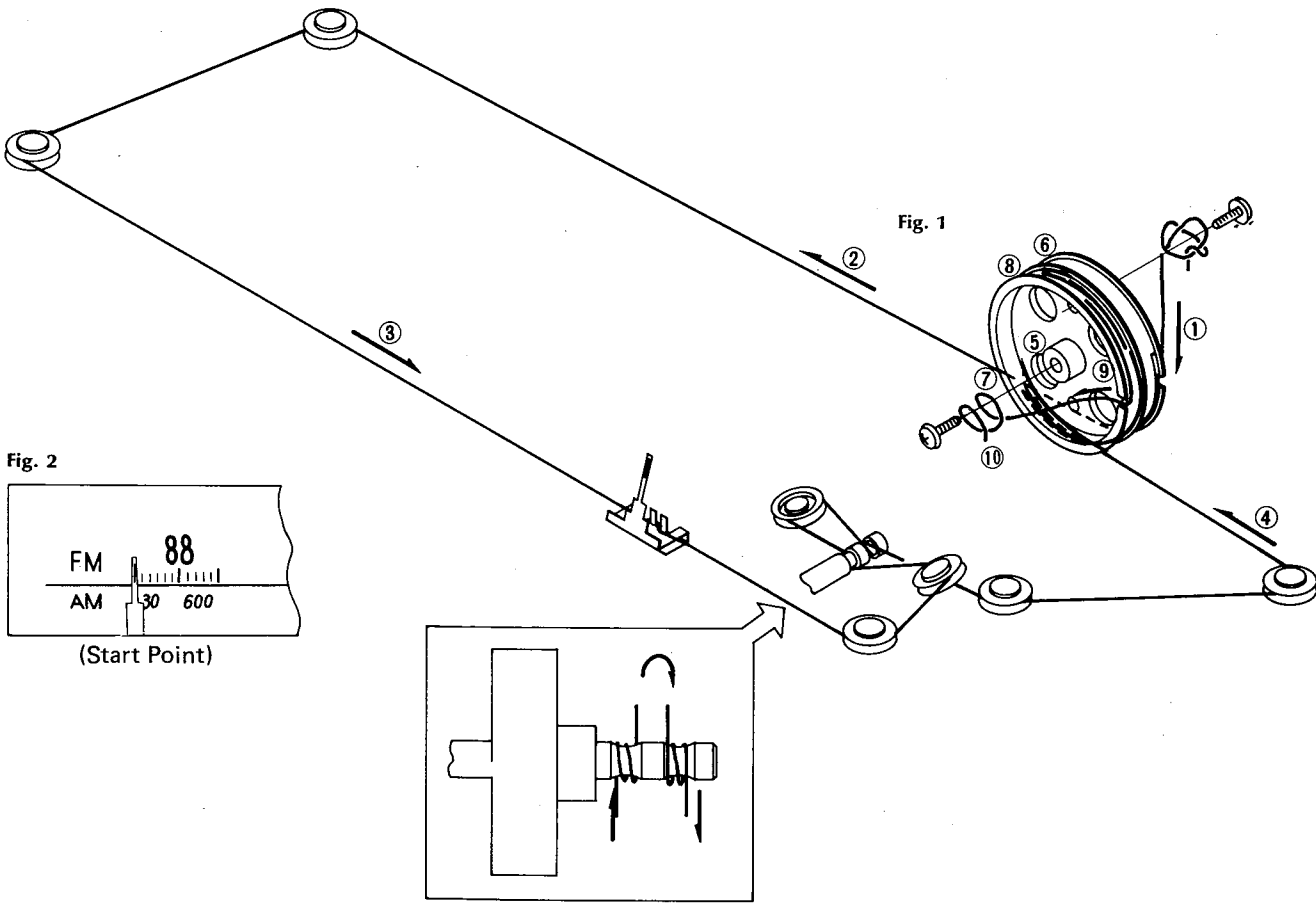
- 1
- 2
- 3
- 4
- 5
- 6
- 7
- 8
- 9
- 10
- 11
- 12
- 13
- 14
- 15
- 16
- 17

- 1
- 2
- 3
- 4
- 5
- 6
- 7
- 8
- 9
- 10
- 11
- 12
- 13
- 14
- 15
- 16
- 17

- 1
- 2
- 3
- 4
- 5
- 6
- 7
- 8
- 9
- 10
- 11
- 12
- 13
- 14
- 15
- 16
- 1

7. THREADING OF DIAL CORD

- If a dial cord is cut off or slips, replace it by following procedures.
As this unit uses 0.5 mmφ cord, please replace it with the same type certainly.
- The length of dial cord is approximately 170 cm (66.9 inch).



1. Threading of Dial Cord

Thread the dial cord in numerical order from 1 to 10 as Fig. 1.

- Open the variable capacitor completely.

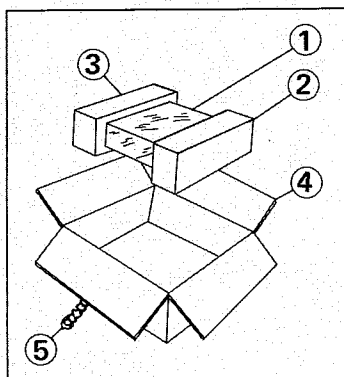
Stock No.	Description
6036050	Dial Cord (0.5 mm φ)
6146721	Dial pulley

2. Attachment of Dial Pointer

- (1) Close the variable capacitor completely.
 - (2) Set the dial pointer to the line at most left on dial scale as Fig. 2.
- Confirm that the dial pointer runs smoothly on the dial scale by turning the tuning shaft.

8. PACKING LIST

Parts No.	Stock No.	Description
1	9116670	Vinyl Cover
2	9028021	Stylofoam Packing (L)
3	9028031	Stylofoam Packing (R)
4	9000500	Carton Case
5	5996080	Curl Stopper



9. ACCESSORY PARTS LIST

Stock No.	Description
9203780	Operating Instructions
5192082	Hexagon Wrench (1.5 mm)
9237770	Schematic Diagram
7296020	Rack-mounting Adaptor (set)
5396340	Rack-mounting Adaptor (each)
5216100	Rear Stand (each)
3820100	FM Antenna
3810280	Pin Plug Cord

MEMO



SANSUI ELECTRONICS CORPORATION: 55-11 Queens Blvd. Woodside, N.Y. 11377 U.S.A.
 333 West Alondra Blvd. Gardena, California 90247 U.S.A.
 3036 Koapaka St. Honolulu, Hawaii 96819 U.S.A.

SANSUI AUDIO EUROPE N.V.: North Trade Bldg (9th floor) Noorderlaan 133-Bus 1, 2030 Antwerp, Belgium
 SANSUI AUDIO EUROPE S.A.: Arabella center, 6 Frankfurt AM Main, Lyoner Strasse 44-48, West Germany

SANSUI ELECTRIC COMPANY LTD.: 14-1, Izumi 2-chome, Suginamiku, Tokyo 168 Japan PHONE: (03) 323-1111/TELEX:232-2076